

SLIM 915



System

- CPU	Intel® 7th & 6th Gen Core™ i processor (LGA1151) i7-6700TE/i5-6500TE/Pentium 4400TE
- Chipset	Intel Q170
- Memory type	Dual Channel DDR4 2133MHz SDRAM MAX 32GB
- Ethernet	GbE LAN1: Intel i219LM; LAN2: Intel i211AT

I/O

- Serial ports	1 x RS232, 1 x RS232/422/485
- USB ports	4 USB 3.0 + 2 USB 2.0 (optional)
- Audio	3 (Mic-in, Line-out, Line-in)
- Video input	1 VGA - 1 HDMI - 1 DP
- Ethernet	2 x RJ45
- Power connection	1 x 4 pin DC terminal block 1 x 2 pin remote power switch 2 x LED light for power and HDD indication

Storage Space

- HDD	2 x 2,5" SATA3 (Support RAID 0,1) easily accessible design
- Mini-PCIe	1 x mSATA slot (full-size)
- M2	B key for SSD and 3G supported (type: 2242 ,2280mm)

Expansion Slot

-Mini-PCIe	1, F/S Mini-PCIe slot (with mSATA supported)
-PCIe	2 PCIe 8X or 3 PCI (optional)

Environment

Operating temperature	0 __ 50 °C
Storage temperature	-30 __ 70 °C
Storage humidity	10 to 90% @ 40 °C - non condensing
Certification	CE

Display

- Display type	15" TFT-LCD
- Max. resolution	1024 x 768
- Max. color	16,7 M
- Luminance (cd/m2)	500
- View angle (H°/V°)	85 __ 85 (H) 85 __ 85 (V)
- Contrast	1500 : 1

Touch Screen

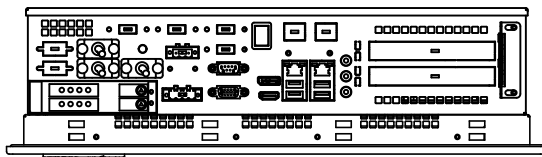
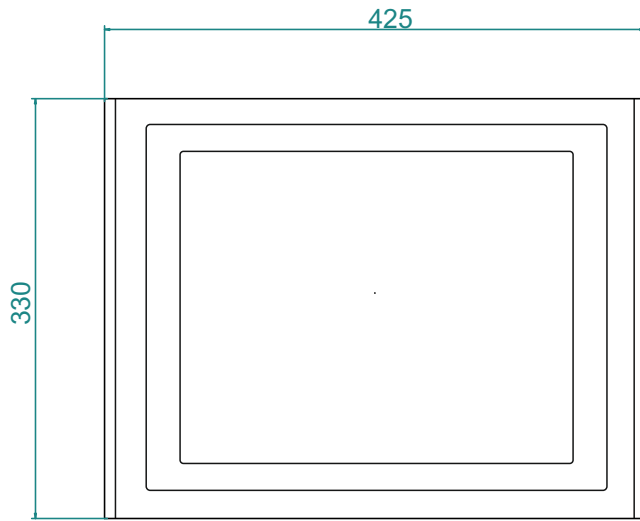
- Type	Project capacitive optional resistive
- Interface	USB
- Light transmission	Project capacitive: 90% resistive: 80%

Mechanical

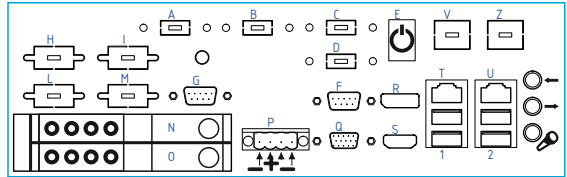
- Construction	Aluminum front bezel optional INOX 316
- IP Rating	Front bezel IP66
- Mounting	Panel mounting
- Dimension (mm)	425 x 330 x 116
- Net weight	-

Supported Operating System

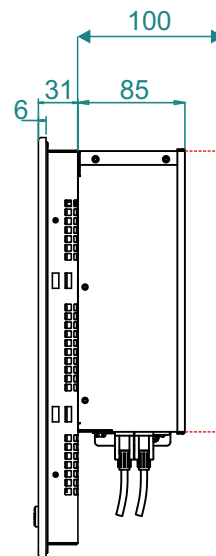
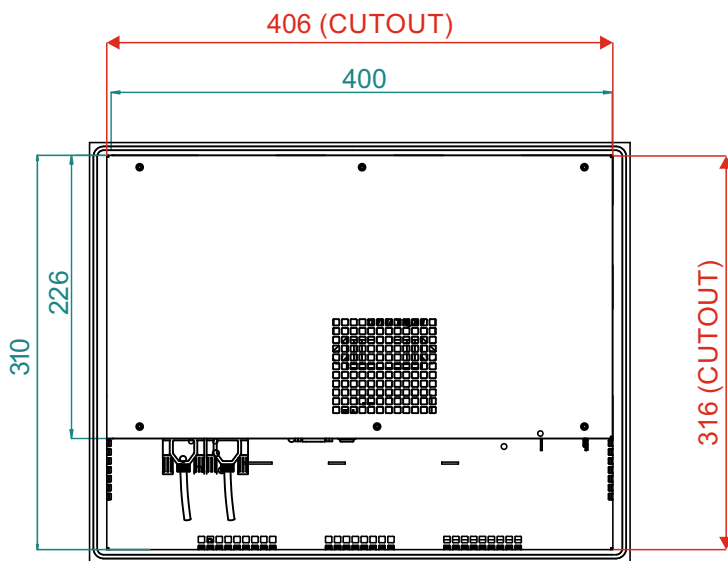
- Windows 7 Professional (32/64bit)
- Windows 7 Ultimate (32/64bit)
- Windows 7 Embedded (32/64bit)
- Windows 10 IoT Enterprise (32/64bit)
- Linux



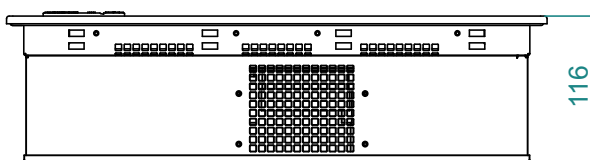
Legenda



- A/B/C/D: USB 2.0 (opt) P: DC INPUT 12-24V
- E: POWER BUTTON Q: VGA
- F: COM 1 R: DP1++
- G: COM 2 S: HDMI
- H: COM 3 (opt) T: ETH 1
- I: COM 4 (opt) U: ETH 2
- L: COM 5 (opt) V: ETH 3
- M: COM 6 (opt) Z: ETH 4
- N: HD 1 1: USB 3.0 1-2
- O: HD 2 2: USB 3.0 3-4



only version
with 3 slots PCI



unit: mm

